

SPECIFICATION

受 控

Customer : QUARTZ

Applied To :

Product Name : Horn Speaker


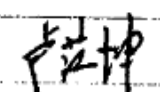
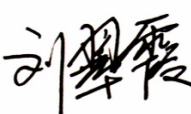
Model Name : SH-8080AF20R4C-7831

Drawing No. : KFC7831

Signature of Appronal

| |
|--|
| |
|--|

Signature of KEPO

| Approved by | Checkde by | Issued by | Date |
|---|---|---|------|
|  |  |  | |



宁波凯普电子有限公司

Ningbo Kepo Electronics Co.,Ltd.

宁波东钱湖镇东钱湖工业区宝源路 25 号

TEL:+86-574-88370330 FAX:+86-574-88370329

No.25 Baoyuan road Dongqian Lake, Industry Area, Dongqian town,Ningbo City,

China(Post Code:315121)

Sales@chinaacoustic.com www.chinaacoustic.com

| | | | |
|--------------------------------|---------------------|--------------|---------|
| Specification for Horn Speaker | | Page | 2/8 |
| | | Revision No. | 1.0 |
| Model No. | SH-8080AF20R4C-7831 | Drawing No. | KFC7831 |

CONTENTS

1. Scope
2. General
3. Electrical and Acoustic Characteristics.
4. Reliability Test
5. Measurement Block Diagram & Response curve
6. Dimensions
7. Packing
8. Revision

| | | | |
|--------------------------------|---------------------|--------------|---------|
| Specification for Horn Speaker | | Page | 3/8 |
| | | Revision No. | 1.0 |
| Model No. | SH-8080AF20R4C-7831 | Drawing No. | KFC7831 |

1. Scope

This specification is applied to the Siren used for sounder in alarm systems. Please contact us when using this product for any other applications than described in the above.

2. General

- 2.1 Out-Diameter : 80 mm
- 2.2 Height : 51.5 mm
- 2.3 Length : 80 mm
- 2.4 Weight : 425 g \pm 10g
- 2.5 Operating Temperature range:
-25~+60 °C without loss of function
- 2.6 Store Temperature range:
-25 ~+60 °C without loss of function

3. Electrical and Acoustic Characteristics.

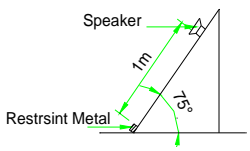
Test condition : 15 ~ 35 °C, 25% ~ 85% RH, 860~1060 mbar

| No | Items | Specification |
|----|----------------------|--|
| 1 | Impedance | 4 Ω \pm 20% |
| 2 | Sound Pressure Level | \geq 100 dB at 1W 1M 2k-3.0kHz AVG |
| 3 | Resonance Frequency | 2000 Hz \pm 20% |
| 4 | Frequency Range | FO ~4KHz |
| 5 | Input Power | Rated 15 W / Max. 20 W |
| 6 | Magnet size | Φ 70*32*8 mm(Dia.*dia.*H) |
| 7 | Buzz and Rattle | Should not be audible buzzes,rattles when the 7.75V sine wave signal swept at frequency range. |
| 8 | Polarity | When supplied plus D.C. voltage to (+) Left line, the diaphragm must move to forward. |
| 9 | Case Material/Color | ABS/BLACK |

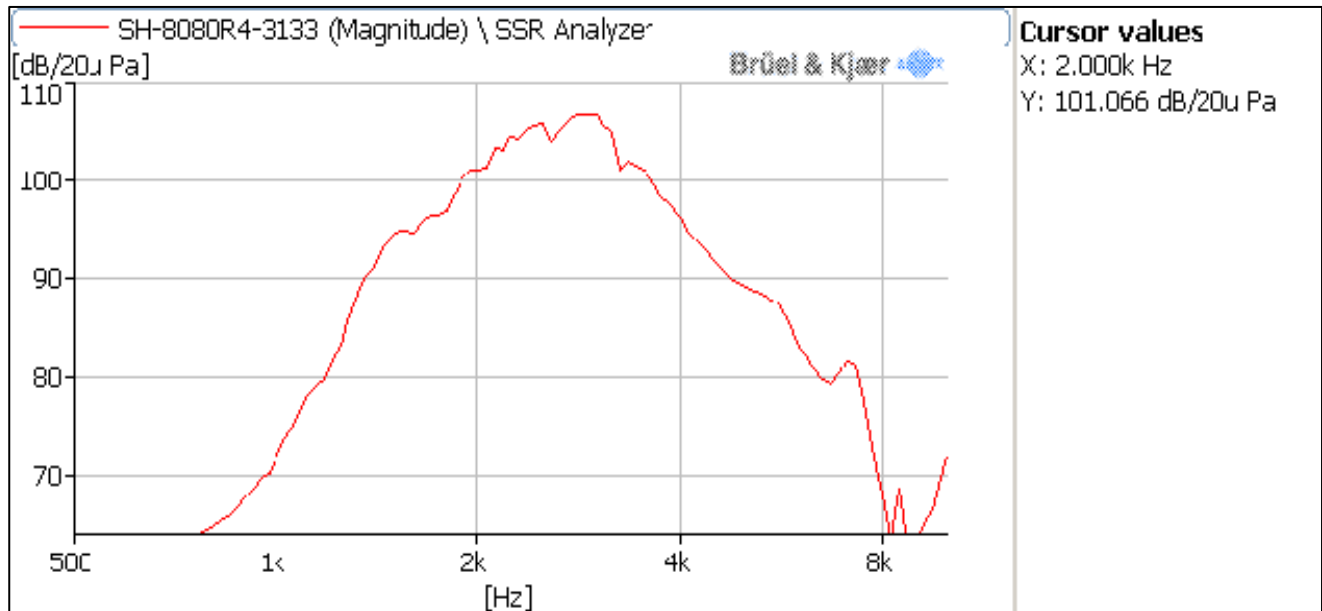
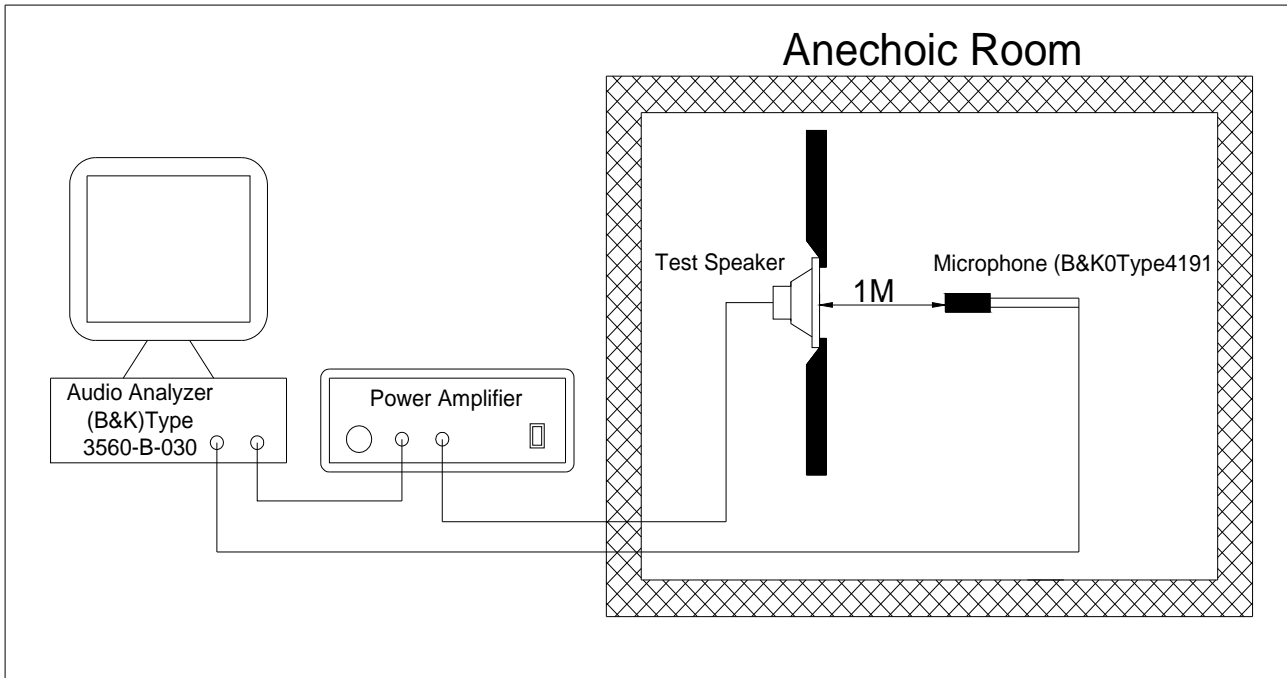
| | | | |
|--------------------------------|---------------------|--------------|---------|
| Specification for Horn Speaker | | Page | 4/8 |
| | | Revision No. | 1.0 |
| Model No. | SH-8080AF20R4C-7831 | Drawing No. | KFC7831 |

4. Reliability Test

After test(1~6item), the Electronic Siren S.P.L . difference shall be within $\pm 10\text{dB}$, and the appearance not exist any change to be harmful to normal operation(e.g.cracks,rusts,damages and especially distortion).

| No | Items | Specification |
|----|-----------------------|--|
| 1 | High Temperature Test | After being woked in a chamber with $+60\pm 2\text{ }^\circ\text{C}$ for 2h and then being placed in natural condition for 2h, sounder shall be measured. |
| 2 | Low Temperature Test | First being worked in a chamber with $-25\pm 2\text{ }^\circ\text{C}$ for 2h and then being placed in a chamber with $-25\pm 2\text{ }^\circ\text{C}$ for 16h, finally being placed in natural condition for 2h, sounder shall be measured. |
| 3 | Humidity Test | After being placed in a chamber with 90 to 95%R.H. at $+40\pm 2\text{ }^\circ\text{C}$ for 2 h and then being placed in natural condition for 2h , sounder shall be measured. |
| 4 | Shock Test | Under acceleration of peak $100\text{m/s}^2(10\text{g})$ & half sine wave pulse (pulse time is 16ms)condition.run into product 1000 times continuously. |
| 5 | Vibration Test | Horn shall be measured after being applied vibration of amplitude of 1.5mm with 10to 30Hz band of vibration frequency to each of 3 perpendicular directions for 2 hour. |
| 6 | Drop Test | <p>A speaker is dropped from 1m in length on 75° inclination and a magnetic circuit of speaker is hitte to the restraint metal.</p> <p>After the test, magnetic circuit should not drop out and speakr should be measured.</p>  |
| 7 | Load test | After being applied loading white noise with input power $15\text{W}(7.75\text{Vrms.})$ for 48 hours, then placed in natural condition for 1 hour, speaker shall be measured. |

5. Measurement Block Diagram & Response curve



Specification for Horn Speaker

Page

6/8

Revision No.

1.0

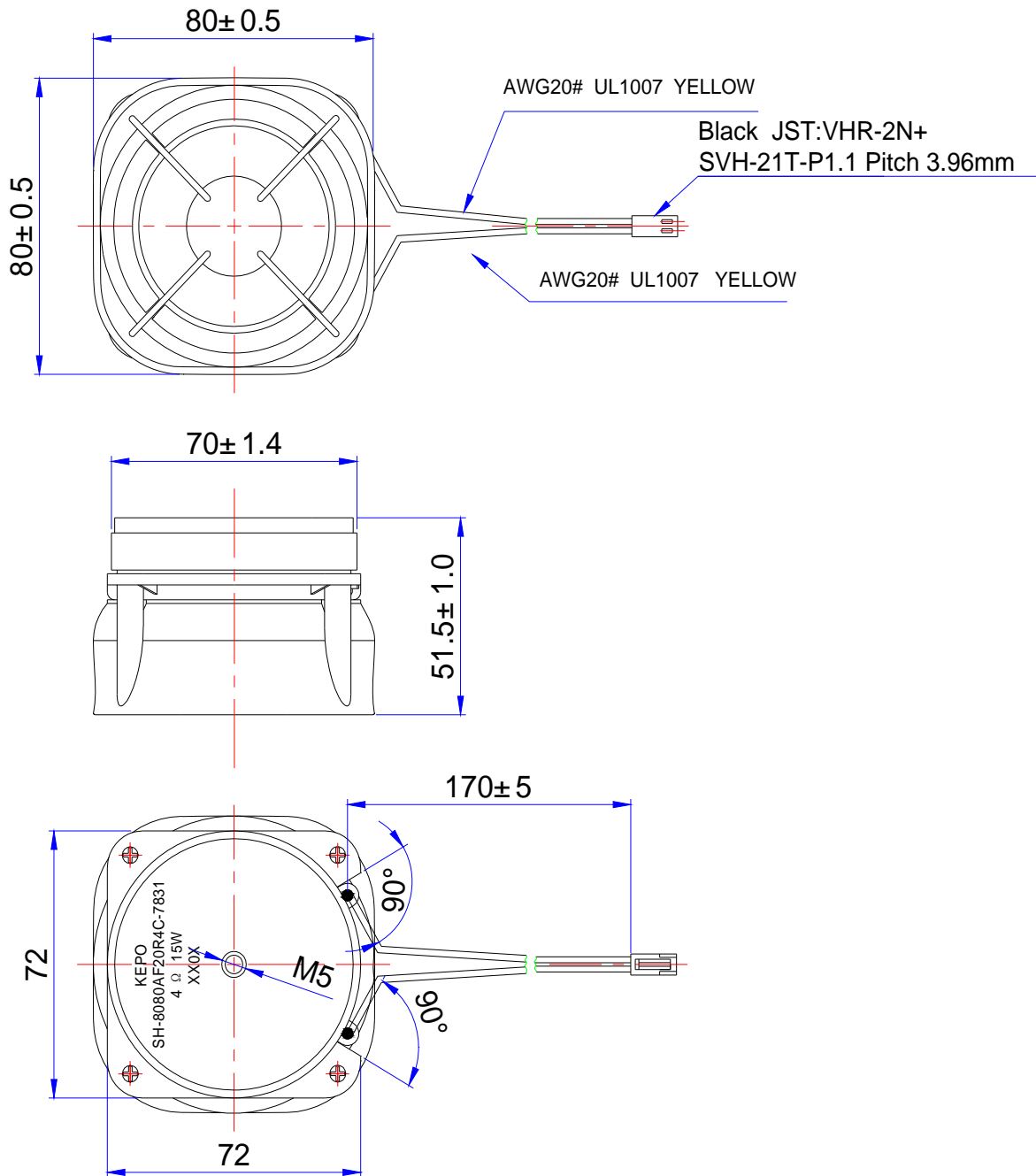
Model No.

SH-8080AF20R4C-7831

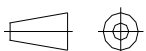
Drawing No.

KFC7831

6. Dimensions



FIRST ANGLE PROJECTION



备注：根据客户要求进行丝印。
使用标准螺丝为M5X10.

UNIT : mm

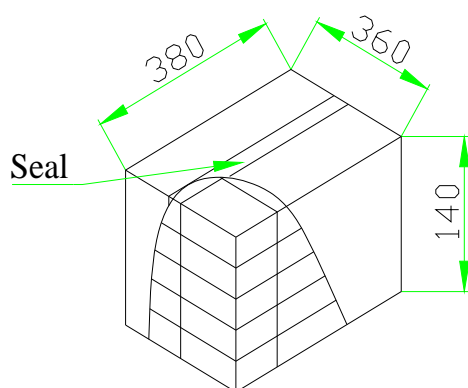
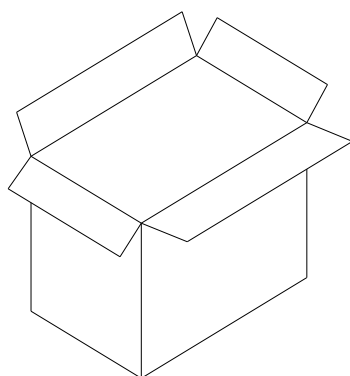
Tolerance : ±0.5

| | | | |
|--------------------------------|---------------------|--------------|---------|
| Specification for Horn Speaker | | Page | 7/8 |
| | | Revision No. | 1.0 |
| Model No. | SH-8080AF20R4C-7831 | Drawing No. | KFC7831 |

7. Packing

Each minimum package unit of products shall be in a carton box and it shall be clearly marked with Part Number ,quantity and outgoing inspection number.

There shall be no mechanical damage on products during transportation and/or in storage.



QTY: 24Pcs
380x360 x140

